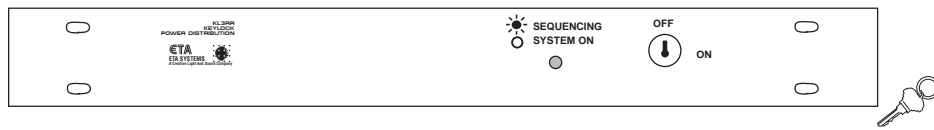
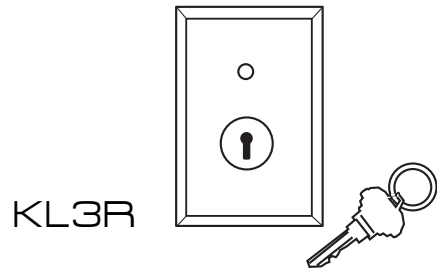


Remote ON / OFF Power Option Available



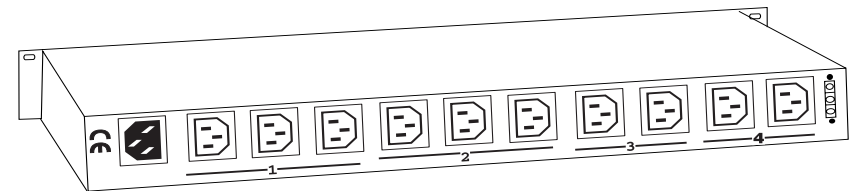
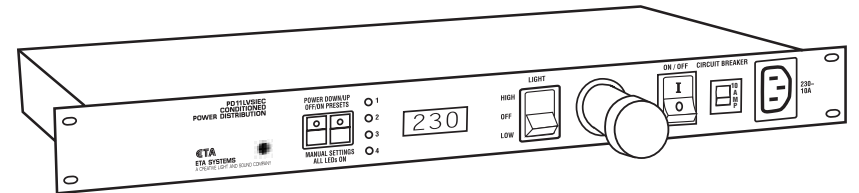
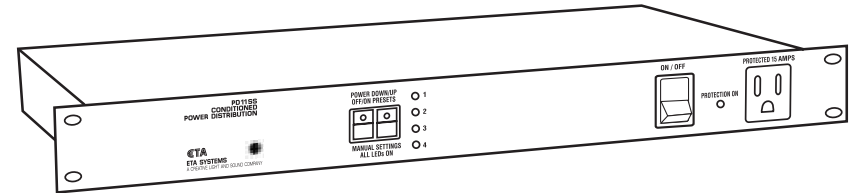
Distributed by:



11 Changi North Street 1 □
 #02-01/02 Changi North Industrial Estate □
 Singapore 498823 □
 Tel: (+65) 62140146 / 7 □
 Fax: (+65) 62141606 □
 E-mail: aeonline@singnet.com.sg □
 Website: www.ae.com.sg □

All designs and specifications are subject to change without notice.
 Copyright © 2003 ETA Systems. INSERT TO 6MAN-021 4/03

OWNER'S MANUAL



ETA SYSTEMS

Operating Instructions

1. Install in a standard 19" rack or free-standing position.
2. Connect Power Distribution power cord into a 10 amp, 230 volt outlet.
3. Plug sensitive electrical equipment into conditioned outlets. All models have an additional protected outlet on the front panel.
4. Move power outlet switch to "ON" position to provide power to electrical equipment.
5. Digital voltmeter readout (PD11LVSIEC-CE) is calibrated to nominal 230V at the factory. No adjustment necessary.
Digital voltmeter readout automatically displays incoming voltage when power cord is connected.

Three-Wire Remote Control Interface

A three-wire remote control interface is available for the PD11SSIEC-CE and PD11LVSIEC-CE units. This remote control interface is accessible through an external terminal block on the back of the unit (see Figure 4). This interface requires an external user provided switch, L.E.D., and a three-wire cable to implement, ETA models KL3R or KL3RR. The interface has been tested reliably over 1000 feet with 22-gauge speaker wire (see Figures 1 and 4).

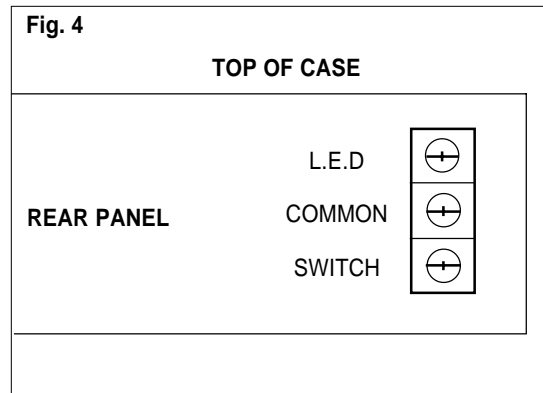
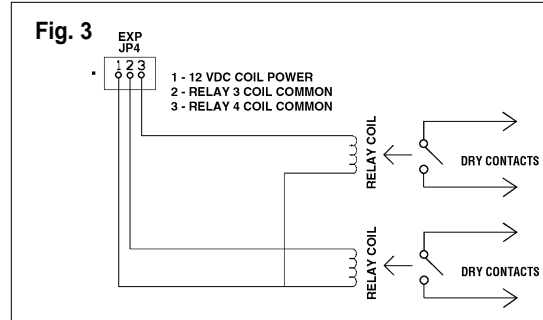
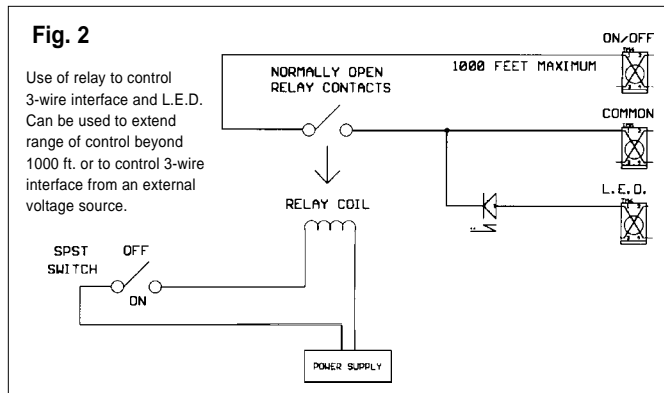
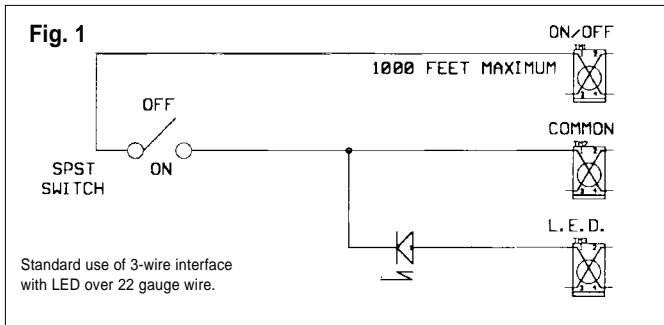
Connect the short minus (-) lead of the L.E.D. and one side of the switch to the COMMON terminal, the long plus (+) lead of the L.E.D. to the L.E.D. terminal, and finally the other side of the switch to the ON/OFF terminal. When you close the switch, the L.E.D. will begin flashing until all channels have sequenced ON, and then the L.E.D. will remain ON. When you open the switch the L.E.D. will begin flashing until all channels have sequenced OFF and then the L.E.D. will remain OFF.

Remote Relay Function Operation (optional)

Using a set of relay contacts that are normally open instead of a switch you can control the PD11SSIEC-CE and PD11LVSIEC-CE units with a relay. When you apply power to the relay the channels will sequence ON, and when you disconnect power from the relay the channels will sequence OFF. This allows you to interface a PD11SSIEC-CE AND PD11LVSIEC-CE unit with other equipment that has dry (normally open) relay contacts (see Figure 2).

Larger Installations

In a larger installation, you can control different equipment racks from a remote location by running three-wire cable from each rack back to the remote location. Then attach an L.E.D. and switch as before, these would be mounted in the user's control panel, and you now have remote control of each rack in a single location (see Figure 3).



Programming Time Delays

The PD11SSIEC-CE and PD11LVSIEC-CE come from the factory set to a 1-second delay for each of the four outlets to turn on. The following instruction will enable you to change the amount of time between each outlet turn on.

- The main power switch must be on
- The sequenced outlets must not be active
- The switches to change the delay time are to left of the unit and they have green L.E.D.s in the switch.
- The switches are labeled POWER DOWN/UP and OFF/ON PRESETS
- The POWER DOWN/OFF is the left switch
- The POWER UP/DOWN is the switch to the right

Programming Preset Time Delays

- Step 1:** Depress and hold the DOWN/OFF switch
Step 2: Depress and hold the UP/ON switch
Step 3: Red L.E.D. to the right of the switches will start to flash
Step 4: When flashing red L.E.D. goes out, release both switches
Step 5: Both green L.E.D.s on the switches will start to flash rapidly
Step 6: You are in program mode at this time
Step 7: The red L.E.D.s to the right indicate what the time delay is set for:

- L.E.D. 1 = 1 second delay
- L.E.D. 2 = 5 second delay
- L.E.D. 3 = 10 second delay
- L.E.D. 4 = 30 second delay

- Step 8:** Depress the UP/ON switch to the right to increase the time delay
Step 9: Depress the OFF/DOWN switch to the left to decrease the time delay
Step 10: Depress both OFF and ON switches to finish the delay programming

Programming Manual Time Delays

- Step 1:** Follow above instruction to activate L.E.D. 4
Step 2: Depress the UP/ON switch one more time to activate manual programming time delay mode
Step 3: All 4 red L.E.D.s to the right will be lit to indicate manual mode
Step 4: The UP/ON switch green L.E.D. will be lit
Step 5: Depress the UP/ON switch to start manual delay programming—can program from 5 sec. to 240 sec. delay
Step 6: Depress the OFF/DOWN to stop the manual delay timing
Step 7: Depress both the OFF and ON switches to finish programming mode